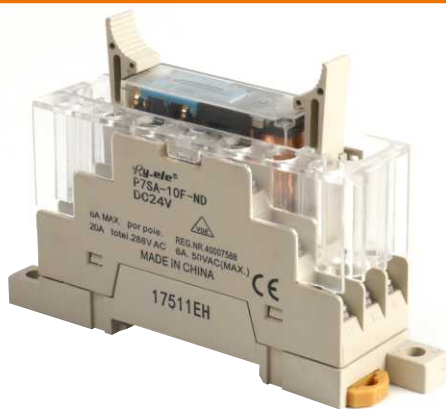


CE

RoHS

IEC:61984



特性
Product features

- 多种触点组合:两组常开+两组常闭、三组常开+一组常闭
Multiple contact combinations: two sets of normally open + two groups of normally closed, three groups of normally open + one group of normally closed
- 强制导向的触点结构(符合EN50205标准)
Force-guided contact construction (according to En50205)
- 负载能力强:6A触点切换能力
Strong load capacity: 6A contact switching capability
- 低输入功耗:360mW
Low input power consumption: 360mW

触点参数 Contact Parameters

触点形式 Contact Form	2A2B 3A1B
接触电阻 Contact Resistance	≤100mΩ(1A 6VDC)
触点材料 Contact material	银合金 Silver alloy
触点负载(阻性) Contact load (resistive)	6A 220VAC/30VDC
最大切换电压 Maximum Switching Voltage	400VAC/30VDC
最大切换电流 Maximum Switching Current	6A
最大切换功率 Maximum Switching Power	1500VA/180W
机械寿命 Mechanical Life	≥1×10 ⁷
电气寿命 Electrical Life	1×10 ⁵ 次(1NO:6A 250VAC,阻性负载, 室温, 1S通 9S断)

性能参数 Performance Parameters

绝缘电阻 Insulation Resistance	≥1000mΩ(500VDC)	
抗电强度 Electrical Strength	线圈与触点间 Between coil and contact	2500VAC 1Min
	断开的触点间 Between disconnected contacts	1500VAC 1Min
	触点组之间 Between contact groups	4000VAC 1Min
吸合时间 Absorption Time	≤20ms	
释放时间 Release Time	≤20ms	
线圈温升 The Coil Temperature Rises	≤60K	
高低温冲击实验 High And Low Temperature Impact Experiment	-45°C~+85°C, 85%RH, 40min/循环, 50个循环, 接触电阻≤200mΩ, 按压力变化值≤30%, LED正常	
耐震性 Shock Resistance	XYZ三向, 60Hz, 振幅2mm,10小时(每2小时观察)	
工作环境湿度 Working Environment Humidity	35~85%	
工作环境温度 Operating Ambient Temperature	-40~+70°C, 非真空状态下, 不结冰情况下	
引出端形式 Lead-out Form	印刷板式 Printed plate type	
重量 Weight	约20g	
封装方式 Encapsulation Method	防焊剂型 Flux mask type	

备注: 上述值均为初始值。
Note: The values in the above book are all initial values.

线圈参数 Coil Parameters

额定线圈功率 Rated Coil Power	约360mW
-------------------------	--------

额定电压 Rated Voltage VDC	动作电压 Operating Voltage VDC	释放电压 Release The Voltage VDC	最大电压 Maximum Voltage VDC	线圈电阻 Coil Resistance Ω
6	≤ 4.5	≥ 0.60	7.8	$100 \times (1 \pm 10\%)$
9	≤ 6.8	≥ 0.90	11.7	$225 \times (1 \pm 10\%)$
12	≤ 9.0	≥ 1.2	15.6	$400 \times (1 \pm 10\%)$
18	≤ 13.5	≥ 1.8	23.4	$900 \times (1 \pm 10\%)$
24	≤ 18.0	≥ 2.4	31.2	$1600 \times (1 \pm 10\%)$
36	≤ 27.0	≥ 3.6	46.8	$3600 \times (1 \pm 10\%)$
48	≤ 36.0	≥ 4.8	62.1	$6400 \times (1 \pm 10\%)$

备注: 1、上述值均为初始值。

2、最大电压是指继电器线圈在短时间内能够承受的最大电压值。

3、对于额定电压 $\geq 48V$ 的产品, 为保护线圈不受操作, 在测试及应用中, 必须有抑制线圈产生过电压的措施(如: 在线圈并联二极管等)。

Remarks: 1. The above values are initial values

2. The maximum voltage refers to the maximum voltage value that the relay coil can withstand in a short time.

3. For products with rated voltage $\geq 48V$, in order to protect the coil from operation, in the test and application, there must be measures to suppress the overvoltage generated by the coil (such as: coil parallel diode, etc.).

订货标记示例 Example Of Order Mark

企业标识 Enterprise Identity	RY	P7SA	-	2A2B	-	D24
继电器系列 Relay Series						
触点形式 Contact Form	二开二闭 2NO2NC		三开一闭 3NO1NC			
线圈电压 Coil Voltage	D: 直流DC					

备注: 1、客户特殊要求由我司评审后, 按特性号的形式标识。

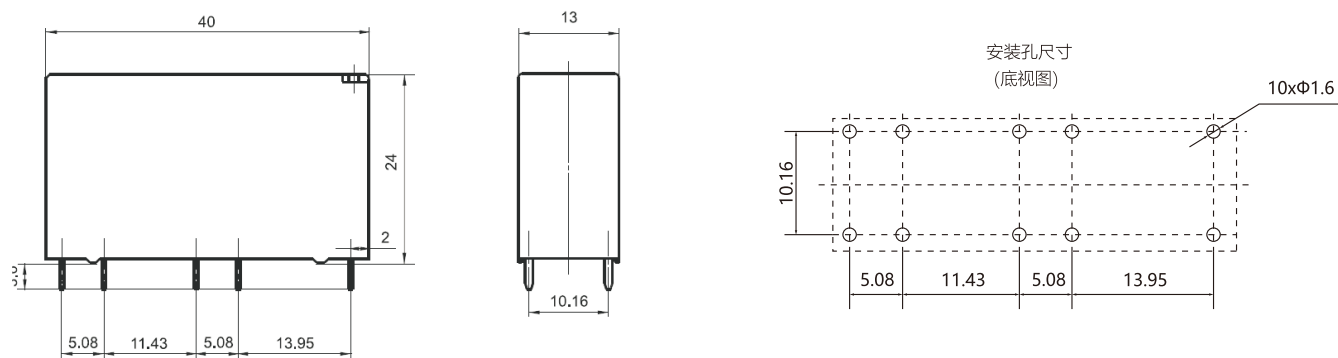
2、对于额定电压 $< 110VDC$ 的产品具备带续流二极管型产品。

Remarks: 1. After the customer's special requirements are reviewed by our company, they are identified in the form of a feature number.

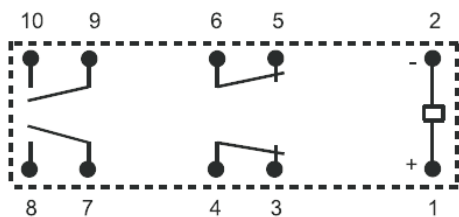
2. For products with rated voltage $< 110VDC$, there are also types with freewheeling diodes.

外形图 Outline Drawing(mm)

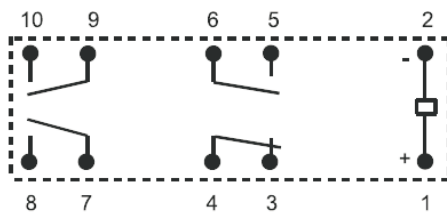
外形图



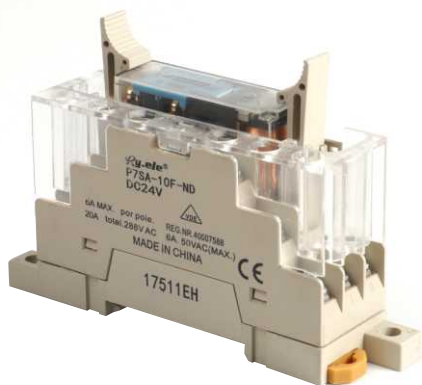
(底视图)



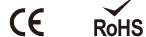
(底视图)



继电器配套底座 Relay Matching Base



IEC:61984



特性 Product features

- 线圈与触点间的耐压2500VAC,绝缘电阻1000MΩ
The withstand voltage between the coil and the contact is 2500VAC, and the insulation resistance is 1000MΩ
- 用二极管对线圈进行保护,消除逆向电流
The coil is protected with diodes and reverse current is eliminated
- 带有手指保护罩
With finger protector
- 自带继电器保持及取出器
Comes with relay holding and extractor

性能参数 Performance Parameters

型号 Model	额定电压 Rated Voltage	额定电流 Rated Current	环境温度 Ambient Temperature	介质耐压 Dielectric Strength	插拔寿命 Plug-in life	螺钉扭矩 Screw Torque	外接导线 Size Of Wire	插片材料 Insert material	重量 Weight
P7SA-10F-ND	250VAC	6A	-35°C~70°C	2500VAC	10000	0.8-1.0N.m	7mm	磷铜	约32.98g
P7SA-14F-ND	250VAC	6A	-35°C~70°C	2500VAC	10000	0.8-1.0N.m	7mm	磷铜	约33.89g

外形图、接线图, 安装孔尺寸 Outline drawing, wiring diagram, mounting hole size

单位: mm

底座 Base	外形尺寸 Form Factor	接线图 Wiring Diagram	可选配件 Optional Accessories
<p>P7SA-10F-ND</p>			
<p>P7SA-14F-ND</p>			